

MAIN MOTOR

COUNTER BALANCE
CYLINDERS

163 ¹/₈ (13'-7 ¹/₈")

64 ¹/₈

93

67

BRAKE

80 DIA.

57

15

18

36

122 ¹/₂
(10'-2 ¹/₂")

CONTROL PANEL

DIE PARTING
LINE

79 ³/₈

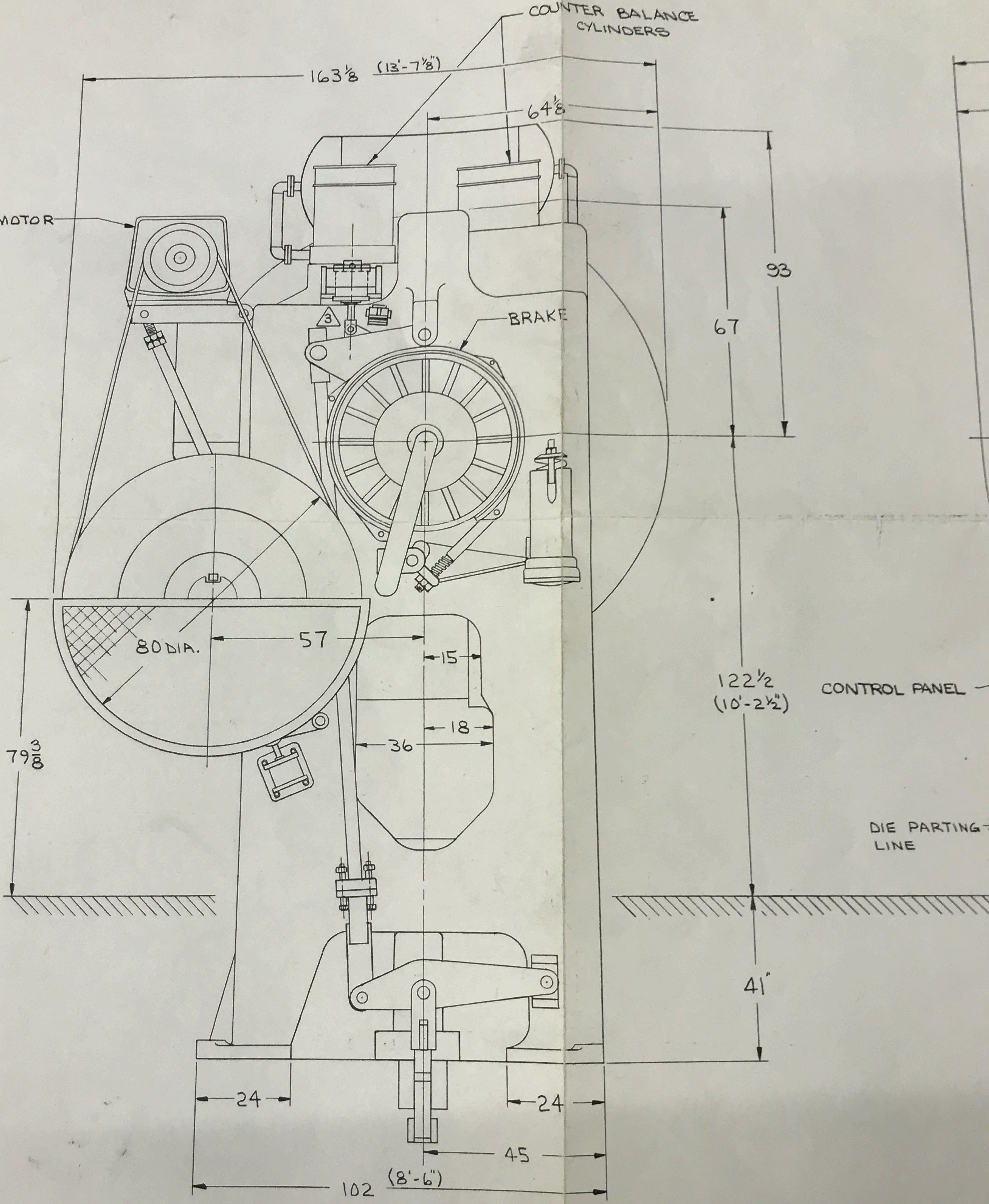
41"

24

24

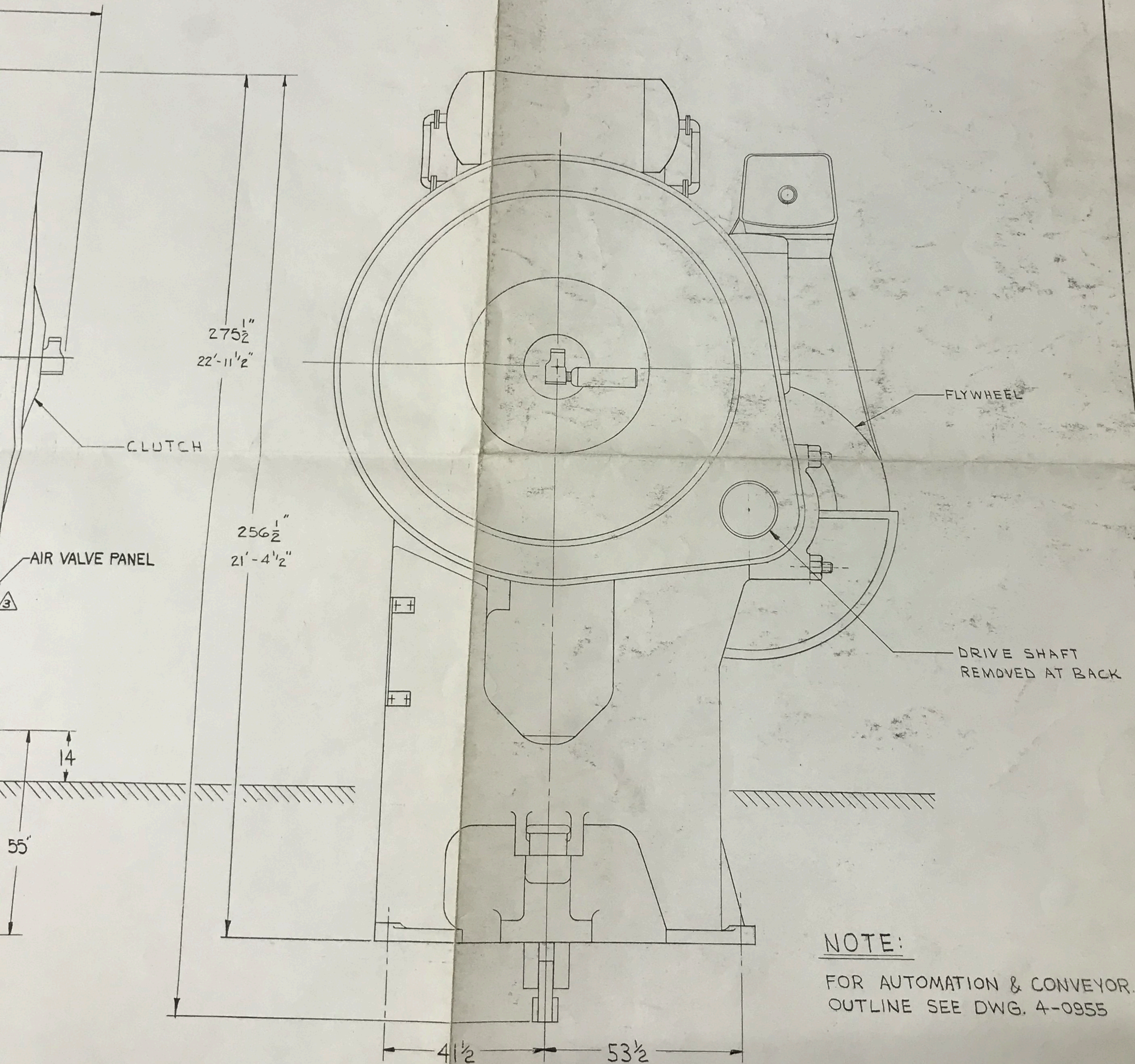
45

102 (8'-6")



GENERAL SPECIFICATIONS

PRESS CAPACITY	4000 TONS @ 1/8 UP
STROKES PER MINUTE	50
LENGTH OF STROKE	16 IN.
SHUT HEIGHT	40 1/4 IN.
MAIN BRG. DIA.	27 IN.
ECCENTRIC DIA.	41 1/4 IN.
WIDTH OF ECC. BRG.	32
RAM RIGHT TO LEFT	56
RAM FRONT TO BACK	53
DIE SEAT RIGHT TO LEFT	61
DIE SEAT FRONT TO BACK	64
MOTOR H.P.	250 H.P.
WEIGHT OF PRESS	470,000 LBS.



NOTE:

FOR AUTOMATION & CONVEYOR.
OUTLINE SEE DWG. 4-0955

This material is owned by and is the sole and exclusive property of Erie Press Systems, Erie, Pa. and is proprietary and supplied on a confidential basis, solely for reference use in connection with the particular job on which it is furnished. Federal law prohibits the reproduction, display, sale or other disposition of this document without the express written consent of Erie Press Systems.

© Erie Press Systems 1989

SEP 21 1990

ERW

DATE

2-29-72

SECTION 58

ERIE FOUNDRY CO. - ERIE, PA., U.S.A.